



IP30, 0 to 40°C

Technical Specifications



MOBOTIX i26B Indoor 180°

Perfect Wall Installation. Compact, Discreet And Inexpensive.

The i26B was specially developed for wall installation. Thanks to its tilt angle of 15°, it provides a perfect overview. A single i26B with a 180° lens monitors an entire room. The camera's compact design ensures an inconspicuous appearance in all environments. With the MxIOBoard-IC available as an accessory, the camera receives an additional MxBus connection, two inputs and two 12V outputs.

- Mx6 system platform 2nd generation, with MxBus, H.264 and ONVIF compatibility
- Recording on an internal MicroSD card (4 GB as standard)
- Optimized for wall installation as an in-wall or on-wall solution
- MxAnalytics Video Analysis tools as standard
- Variants with audio package (microphone and speaker)
- Integrated vibration and temperature sensor

Technical Specifications: i26 Indoor 180°

Camera Variants	i26B Body Day Or Night Lens For Self-Assembly	i26B Day Complete Camera	i26B Night Complete Camera
Specialties	i26B Body with 6MP T Day or Night sensor, additional variants with audio package; all lenses (except MX-B016) available separately for self-assembly	Factory-assembled i26B Day or Night cameras with sharply focused lens; additional variants with audio package (microphone and speaker inside the camera housing)	
Lenses	i26B Body Day Or Night Lens For Self-Assembly	i26B Day Complete Camera	i26B Night Complete Camera
Fisheye Lens MX-B016 (f/2.0, 180° x 180°)	Not for i26B Body	Mx-i26B-6D016 Mx-i26B-AU-6D016	Mx-i26B-6N016 Mx-i26B-AU-6N016
Ultra Wide Lens MX-B036 (f/1.8, 103° x 77°)	Lens selection for i26B Body Day/Night Body Day: Mx-i26B-6D (Body not available with audio) Body Night: Mx-i26B-6N (Body not available with audio)	Mx-i26B-6D036 Mx-i26B-AU-6D036	Mx-i26B-6N036 Mx-i26B-AU-6N036
Super Wide Lens MX-B041 (f/1.8, 90° x 67°)		Self-assembly only (without Audio)	Self-assembly only (without Audio)
Wide Lens MX-B061 (f/1.8, 60° x 45°)		Self-assembly only (without Audio)	Self-assembly only (without Audio)
Standard Lens MX-B079 (f/1.8, 45° x 34°)		Self-assembly only (without Audio)	Self-assembly only (without Audio)
Tele Lens MX-B119 (f/1.8, 31° x 23°)		Self-assembly only (without Audio)	Self-assembly only (without Audio)
Distant Tele Lens MX-B237 (f/1.8, 15° x 11°)		Self-assembly only (without Audio)	Self-assembly only (without Audio)
Hardware		i26B Body Day Or Night Lens For Self-Assembly	i26B Day Complete Camera
Image sensor with individual exposure zones	Color or Black & White (B/W)	Color	B/W
Light sensitivity in lux at 1/60 s and 1/1 s	0.1/0.005 (Color) 0.02/0.001 (B/W)	0.1/0.005 (Color)	0.02/0.001 (B/W)
Image sensor (color or B/W sensor)	1/1.8" CMOS, 6MP (3072 x 2048), Progressive Scan		
Tilt angle of lens	-5° to -45° (manually adjustable)		
Microprocessor	i.MX 6 Dual Core inkl. GPU (1 GB RAM, 512 MB Flash)		
H.264 Hardware Codec	Yes, bandwidth limitation available; output image format up to QXGA		
Protection classes	IP30 and IK06		
Intended use	Wall mounting, indoor use only, no EX area		
Ambient temperature (range, incl. storage)	0 to 40°C (32 to 104 °F)		
Internal DVR, ex works	4 GB (microSD)		
Microphone/speaker	Yes/Yes (variants with audio package only)		
16bit/16kHz HD wideband audio (Opus codec)	Yes (live and audio messages)		
Passive infrared sensor (PIR)	No		
Temperature sensor	Yes		
Shock detector (tamper detection)	Yes		
Power consumption (typically at 20°C/68°F)	5 watts		
PoE Class (IEEE 802.3af)	Class 2 or 3 (variable), factory setting: class 3		
Interfaces Ethernet 100BaseT/MxBus/USB	Yes (MxRJ45)/No/Yes		
Interface RS232	With MX-232-IO-Box (Order Nr: MX-OPT-RS1-EXT)		
Interfaces MxBus and I/O (2 outputs, 2 inputs)	With MxIOBoard-IC (Order Nr. Mx-A-IO-IC)		
Mounting options	Wall		
Dimensions (Height x Diameter)	96 x 138 x 50 mm		
Weight	201 g		

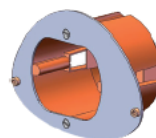
Technical Specifications: i26 Indoor 180°

Hardware	i26B Body Day Or Night Lens For Self-Assembly	i26B Day Complete Camera	i26B Night Complete Camera
Housing	PBT-30GF, color: white		
Standard accessory	Screws with cover, sealing, allen wrench, 0.5 m Ethernet patch cable, Quick Install		
Detailed technical documentation	www.mobotix.com > Support > Download Center		
Online version of this document	www.mobotix.com > Support > Download Center		
MTBF	> 80,000 hours		
Certifications	EN55022:2010; EN55024:2010; EN50121-4:2006; EN61000-6-1:2007; EN 61000-6-2:2005; EN61000-6-3:2007+A1:2011; EN61000-6-4:2007+A1:2011; AS/ NZS CISPR22:2009+A1:2010; CFR47 FCC part15B		
Protocols	IPv4, IPv6, HTTP, HTTPS, FTP, FTPS, RTP, RTSP, UDP, SNMP, SMTP, DHCP (client and server), NTP (client and server), SIP (client and server) G.711 (PCMA and PCMU) and G.722		
Manufacturer's warranty (since May 2018)	3 years		

Image Formats, Frame Rates, Image Storage	i26B Body Day Or Night Lens For Self-Assembly	i26B Day Complete Camera	i26B Night Complete Camera
Available video codecs	MxPEG/MJPEG/H.264		
Image formats	Freely configurable format 4:3, 8:3, 16:9 or customized format (Image Cropping), such as 2592x1944 (5MP), 2048x1536 (QXGA), 1920x1080 (Full-HD), 1280x960 (MEGA)		
Multistreaming	Yes		
Multicast stream via RTSP	Yes		
Max. image format	6MP (3072 x 2048)		
Max. frame rate (fps, only single core used)	MxPEG: 42@HD(1280x720), 34@Full-HD, 24@QXGA, 15@5MP, 12@6MP MJPEG: 26@HD(1280x720), 13@Full-HD, 9@QXGA, 5@5MP, 4@6MP H.264: 25@Full-HD, 20@QXGA		
Number of images with 4 GB microSD (internal DVR)	CIF: 250,000, VGA: 125,000, HD: 40,000, QXGA: 20,000, 6MP: 10,000		



MX-OPT-AP2
On-Wall Installation Set



MX-OPT-UP1
In-Wall Installation Set



MxIOBoard-IC
for signal inputs/outputs

General Functions	i26B Body Day Or Night Lens For Self-Assembly	i26B Day Complete Camera	i26B Night Complete Camera
Digital zoom and pan	Yes		
ONVIF compatibility	Yes (Profile S)		
Genetec protocol integration	Yes		
Programmable exposure zones	Yes		
Snapshot recording (pre/post-alarm images)	Yes		
Continuous recording with audio	Yes (variants with audio package only)		
Event recording with audio	Yes (variants with audio package only)		
Time controlled flexible event logic	Yes		
Weekly schedules for recordings and actions	Yes		
Event video and image transfer via FTP and email	Yes		
Playback and QuadView via web browser	Yes		
Bidirectional audio in browser	Yes (variants with audio package only)		
Animated logos on the image	Yes		
Master/Slave functionality	Yes		

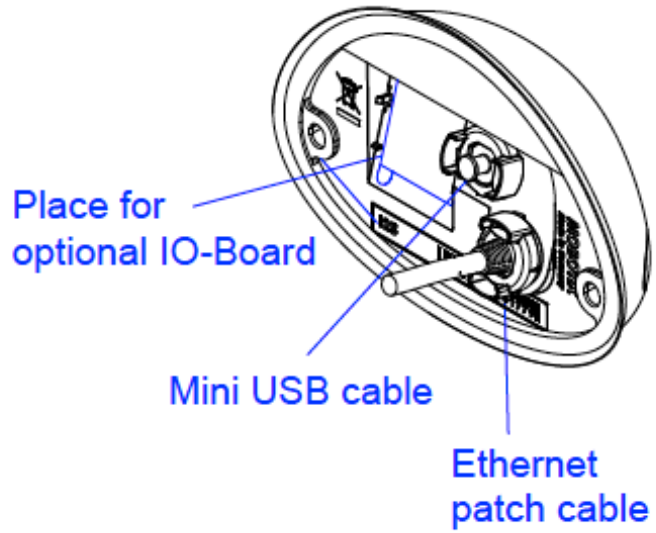
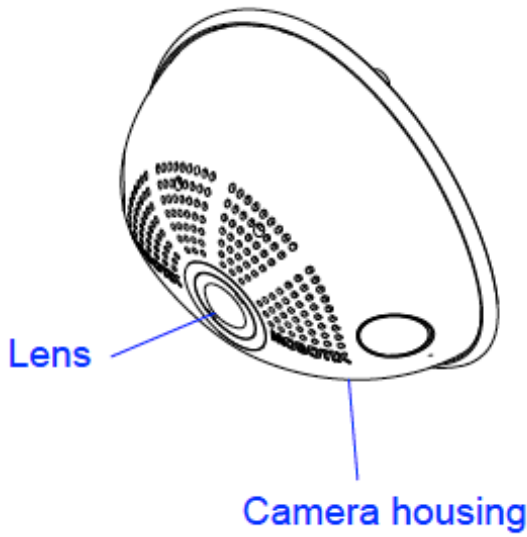
Technical Specifications: i26 Indoor 180°

General Functions	i26B Body Day Or Night Lens For Self-Assembly	i26B Day Complete Camera	i26B Night Complete Camera
Privacy zone scheduling	Yes		
Customized voice messages	Yes (variants with audio package only)		
VoIP telephony (audio, alert)	Yes (variants with audio package only)		
Remote alarm notification (network message)	Yes		
Programming interface (HTTP-API)	Yes		
DVR	Inside camera via microSD card, externally via USB device and NAS, different streams for live image and recording, MxFFS with archive function, pre-alarm an post-alarm images, monitoring recording with failure reporting		
Camera and data security	User and group management, SSL connections, IP-based access control, IEEE802.1x, intrusion detection, digital image signature		
MxMessageSystem: Sending and receiving of MxMessages	Yes		
Video Analysis	i26B Body Day Or Night Lens For Self-Assembly	i26B Day Complete Camera	i26B Night Complete Camera
Video Motion Sensor	Yes		
MxActivitySensor	Yes		
MxAnalytics	Yes (Heatmaps, counting corridors)		
Video Management Software	i26B Body Tag oder Nacht zur Objektiv-Selbstmontage	i26B Tag Komplett-Kamera	i26B Nacht Komplett-Kamera
MxManagementCenter	Yes		
Mobile MOBOTIX App	Yes		

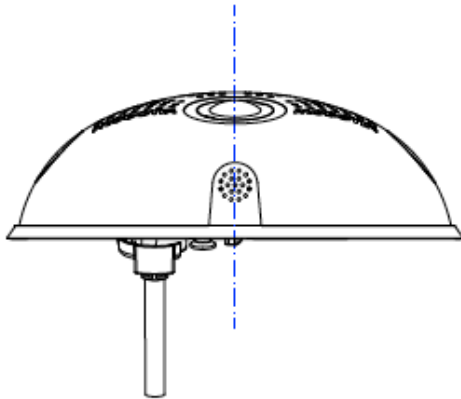
i26 Standard Delivery



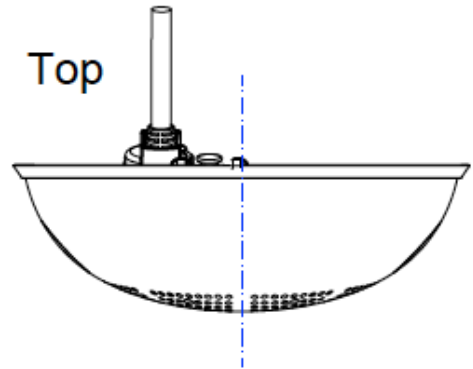
Item	Count	Part Name
1.1	1	Housing (installed)
1.2	1	Back cover (installed)
1.3	1	Main board with lens MX-B016 or MX-B036 (installed)
1.4	2	Bayonet catch, blue (installed)
1.5	1	USB plug, blue (installed)
1.6	1	Ethernet plug, blue (installed)
1.7	1	Ethernet patch cable, 50 cm/19.7 in, black
1.8	1	Wall sealing
1.9	2	Screw plug, white
1.10	2	Washer Ø 4.3 mm, stainless steel
1.11	2	Wood screw 4x40 mm, stainless steel
1.12	2	Screw anchor S6
1.13	1	MicroSD card pre-installed (SDHC installed, SDXC supported)
1.14	1	Allen wrench 2.5 mm



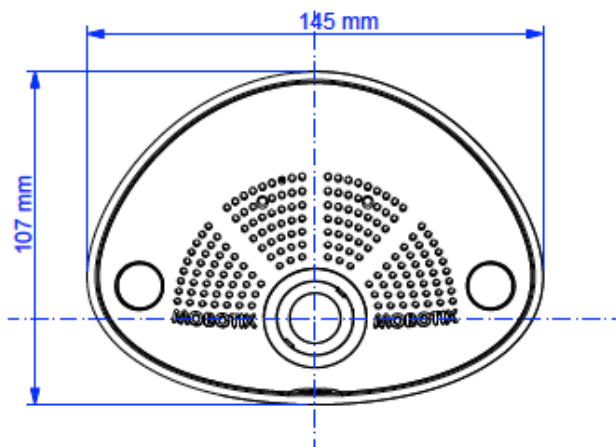
Down



Top



Front



Side

